

Diff. Pressure transmitter

BT-DPT-I/II
BROIL



BT-DPT-II



BT-DPT-I

Constructive characteristics

Sensor: **Silicon sensing die**
Material in contact: AISI316L
Case : AISI304L
Protection: IP65 / IP67
Weight: 0,20 Kg
Process connection: G1/4 or G1/2

Electrical Characteristics

Output signal: 4..20 mA , 0..5 Vdc, 0..10 Vdc ,
other on request
Electrical connection: cables, DIN 43650 ,
4 pole connector , other on request
Power supplier: 12...30Vdc (current)
15..30 Vdc (Voltage)
CE conformity: 89/336 CE (EN 50082-1 e 2 EN50081-1 e 2);
97/23/CE :3.3 Ps<200 bar cat 1 - Ps=200 bar
Isolation resistance at 50 Vdc: >1000MΩ
Response time(10..90%): =10mS

Functional characteristics


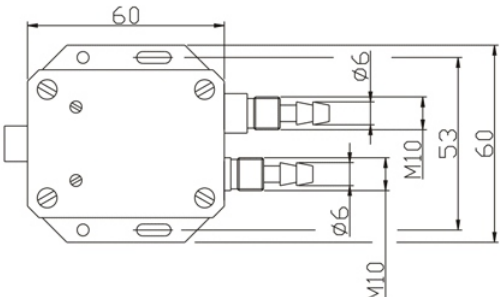

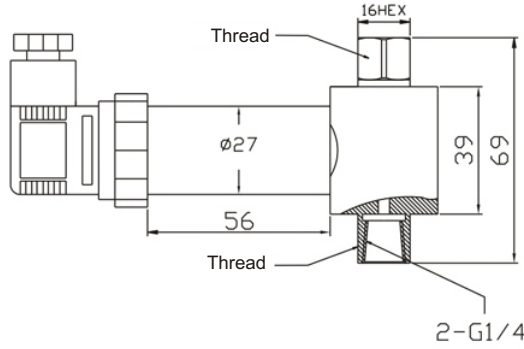
Pressure range: 0 to 10mbar---1000mbar---70bar
Sensor class (included linearity and hysteresis): 0,25%
Compensate temp. range: -20..+80°C (-4..+176°F)
Permitted temperature fluid: -20..+80 °C
(-4..+176°F)
Zero drift = typical : 0.05% fs/10K
Sensibility drift = typical : 0.05% fs/10K
Zero offset: =±0.5%FS
Max applicable pressure (without decay): 2 time FS
Resistance to bursting: 3 time FS

BROIL SENSOTEK INDUSTRIES,
I-195, GIDC-2 , MEHSANA-384002, STATE: GUJARAT, INDIA.

Diff. Pressure transmitter

BT-DPT-I/II
BROIL

Mechanical dimensions

<p>BT-DPT-I Only for dry gas and air</p>  <p>Micro-differential pressure</p>	
<p>BT-DPT-II Only for dry gas, ai and liquied</p>  <p>Oil-filled and piezoresistance</p>	

Electrical connections

	Terminal		
Power supply (output) 15..30Vdc (0..5-10 Vdc)	Pin 1 (+) Pin 2 (-) Pin 3 (Out 0..5- 10Vdc)	Red (+) Yellow or black (-) white (Out 0..5- 10Vdc)	Pin 1 (+) Pin 2 (-) Pin 3 (Out 0..5- 10Vdc)
Power supply (output) 09..30Vdc (4..20 mA)	Pin 1 (+) Pin 2 (-)	Red(+) Yellow or black (-)	Giallo Pin 1 (+) Pin 2 (-)
Draws	